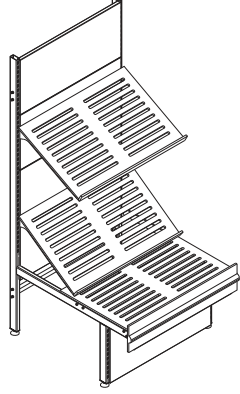


MS-100G MEYVE SEBZE ÜNİTE

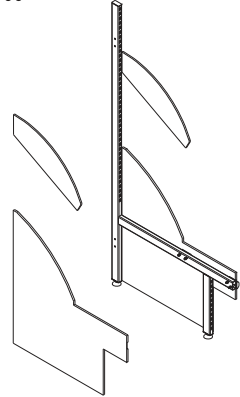
MS-100G FRUIT AND VEGETABLE UNIT
Main Code : U047 0100 00



Ölçü Dimension			Renk Color Code
H	D	L	
1640	1000	700	6032 KPV
1640	1000	900	
1850	1000	700	
1850	1000	900	
2060	1000	700	
2060	1000	900	

MS-101B MEYVE SEBZE İLAVE GRUBU

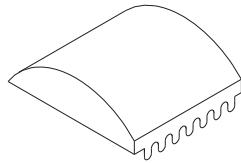
FRUIT & VEGETABLE UNIT ADDITIONAL GROUP
Main Code : U047 0101 00



H	D	L	
1640	1000		6032 KPV
1850	1000		
2060	1000		

MS-100S MEYVE SEBZE ŞAPKA

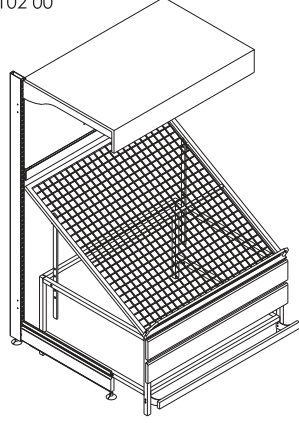
MS-100S FRUIT & VEGETABLE UNIT CANOPY
Main Code : U047 0100 20



H	D	L	
		700 900	BYB

MS-102G MEYVE SEBZE ÜNİTE

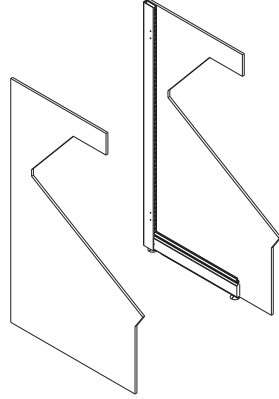
MS-102G FRUIT AND VEGETABLE UNIT
Main Code : U047 0102 00



Ölçü Dimension			Renk Color Code
H	D	L	
2060	1160	1250	9010 KPV
2270	1160	1250	

MS-103B MEYVE SEBZE İLAVE GRUBU

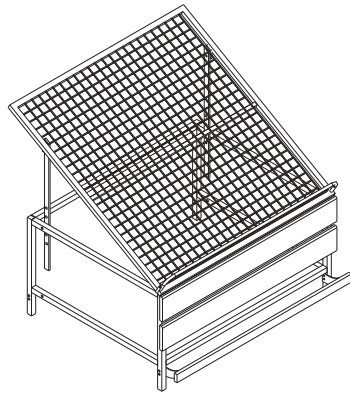
FRUIT & VEGETABLE UNIT ADDITIONAL GROUP
Main Code : U047 0103 00



H	D	L	
2060	1160		9010 KPV
2270	1160		

MS-104T MEYVE SEBZE STAND

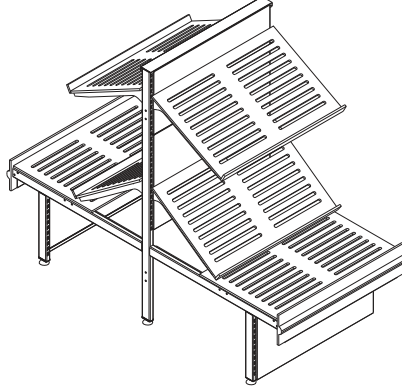
MS-104T FRUIT AND VEGETABLE DISPLAY
Main Code : U047 0104 00



H	D	L	
1240	1200	900	9010 KPV
1240	1200	1250	

MS-105G MEYVE SEBZE ÜNİTE

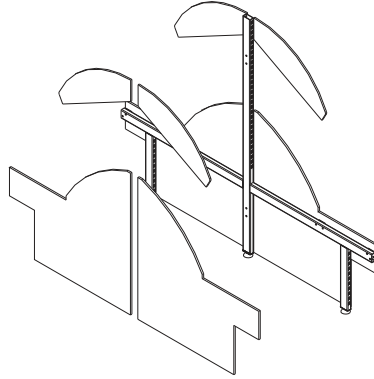
MS-105G FRUIT AND VEGETABLE UNIT
Main Code : U047 0105 00



Ölçü Dimension			Renk Color Code
H	D	L	
1640	2000	700	6032 KPV
1640	2000	900	
1850	2000	700	
1850	2000	900	

MS-106B MEYVE SEBZE İLAVE GRUBU

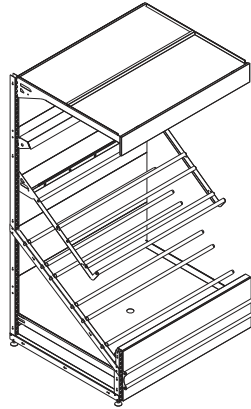
FRUIT & VEGETABLE UNIT ADDITIONAL GROUP
Main Code : U047 0106 00



H	D	L	
1640	2000		6032 KPV
1850	2000		

MS-117G MEYVE SEBZE ÜNİTE

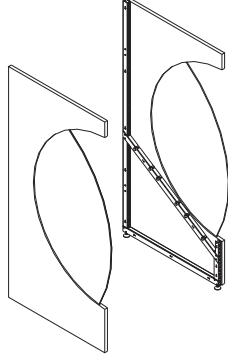
MS-117G FRUIT AND VEGETABLE UNIT
Main Code : U047 0117 00



H	D	L	
2270	1250	1250	6032 KPV

MS-118B MEYVE SEBZE İLAVE GRUBU

FRUIT & VEGETABLE UNIT ADDITIONAL GROUP
Main Code : U047 0118 00



Ölçü Dimension			Renk Color Code
H	D	L	
2270	1250	1250	6032 KPV

MS-A MEYVE SEBZE REYON SİSLEME

MS-A FRUIT & VEGETABLE UNIT MISTING SYSTEM
Main Code : T01 06 058 AVG
Main Code : T01 06 058 NZL

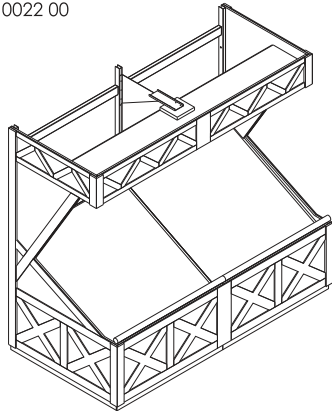


Ölçü Dimension			Renk Color Code
H	D	L	
AVIGA - 150 NOZZLE - Metre			

* 40 Metre'ye kadar püskürtme kapasiteli.
~ Have ability to spray out up to 40 meters

MS-022G MEYVE SEBZE ÜNİTE - FRESH

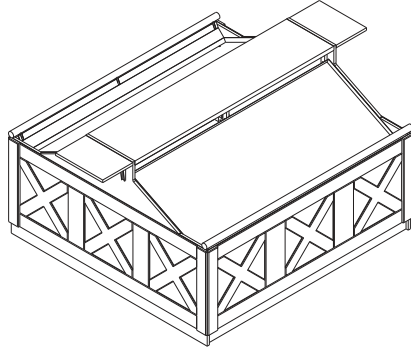
MS-022G FRUIT & VEGETABLE UNIT - FRESH
Main Code : U047 0022 00



H	D	L	Renk Color Code
2270	1260	1200	6032 ACMK
2270	1260	2400	
2270	1260	3600	
2270	1260	4800	
2270	1260	6000	
2270	1260	7200	

MS-021G MEYVE SEBZE ÜNİTE - FRESH ORTA

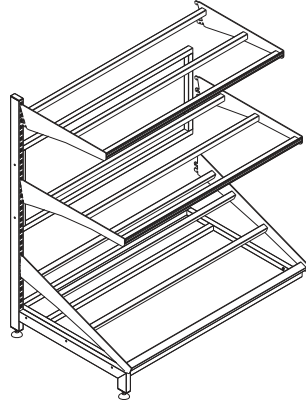
MS-021G FRUIT & VEGETABLE UNIT - FRESH MIDDLE
 Main Code : U047 0021 00



Ölçü Dimension			Renk Color Code
H	D	L	
1000	1600	1670	6032 ACMK

MS-113G MEYVE SEBZE ÜNİTE

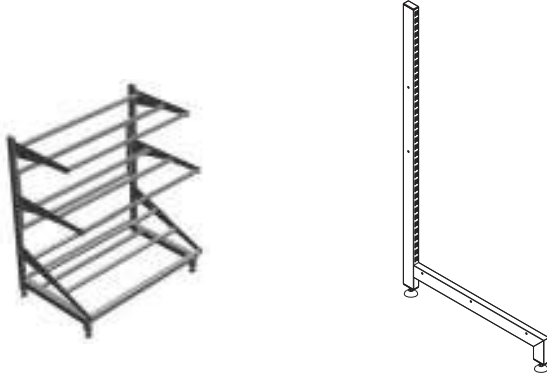
MS-113G FRUIT AND VEGETABLE UNIT
 Main Code : U047 0113 00



H	D	L	
1430	800	700	6032
1640	800	1000	
1850	800	1250	

MS-114B MEYVE SEBZE İLAVE GRUBU

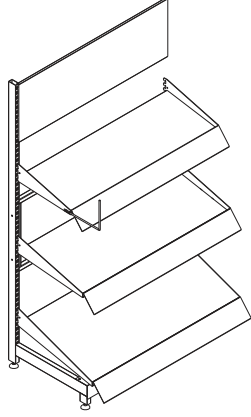
FRUIT & VEGETABLE ADDITIONAL GROUP
 Main Code : U047 0114 00



H	D	L	
1430	800		6032
1640	800		
1850	800		

MS-024G MEYVE SEBZE ÜNİTE

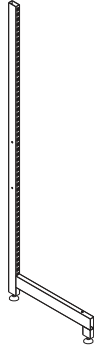
MS-024G FRUIT AND VEGETABLE UNIT
Main Code : U047 0024 00



Ölçü Dimension			Renk Color Code
H	D	L	
1850	600	700	6032
1850	600	1000	
2060	600	700	
2060	600	1000	
2270	600	700	
2270	600	1000	

MS-024B MEYVE SEBZE İLAVE GRUBU

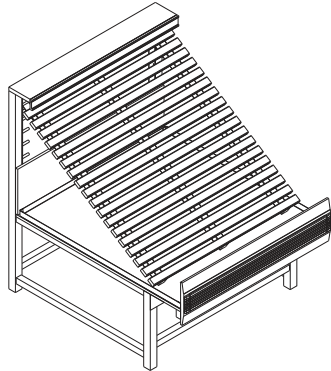
FRUIT & VEGETABLE ADDITIONAL GROUP
Main Code : U047 0024 01



H	D	L	
1850	600		6032
2060	600		
2270	600		

MS-107 MEYVE SEBZE STAND

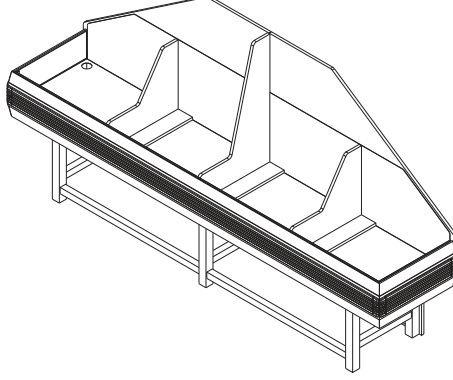
MS-107 FRUIT AND VEGETABLE DISPLAY
Main Code : U047 0107 00



H	D	L	
1300	1200	1000	6032 AHV

MS-108 MEYVE SEBZE STAND REYON BAŞI

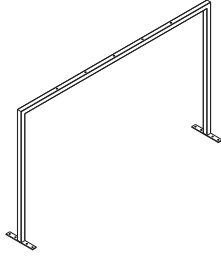
MS-108 FRUIT AND VEGETABLE DISPLAY END UNIT
Main Code : U047 0108 00



Ölçü Dimension			Renk Color Code
H	D	L	
1300	2400	500	6032 AHV
H	D	L	
600		1000	6032
H	D	L	
1750	1300	1850	6032 AHV
1750	1500	2500	

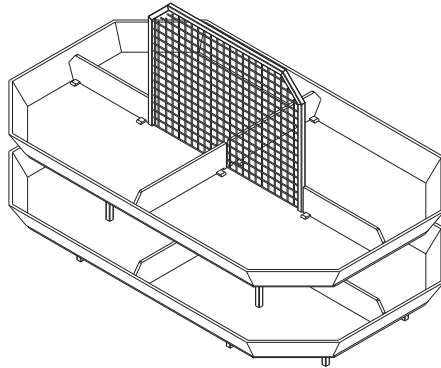
MS-107S MEYVE SEBZE STAND - ÇERÇEVE

MS-107S FRUIT AND VEGETABLE FRAME
Main Code : U047 0107 10



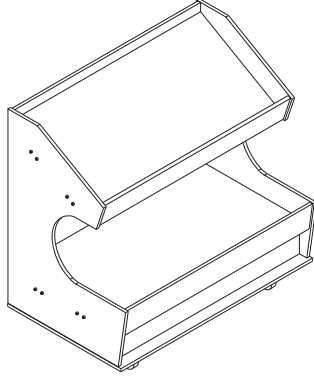
MS-111 MEYVE SEBZE STAND

MS-111 FRUIT AND VEGETABLE DISPLAY
Main Code : U047 0111 00



MS-052 MEYVE SEBZE STAND

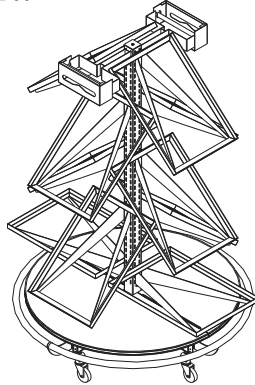
MS-052 FRUIT AND VEGETABLE DISPLAY
Main Code : U047 0052 00



Ölçü Dimension			Renk Color Code
H	D	L	
1290	800	1300	KPV

MS-122 MEYVE SEBZE STAND

MS-122 FRUIT AND VEGETABLE DISPLAY
Main Code : U047 0122 00

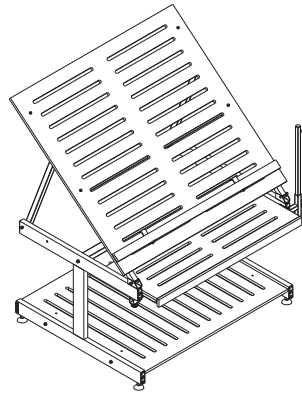


H	D	L	
1640	1200	1200	6032

MS-109 MEYVE SEBZE ÜNİTE

MS-109 FRUIT AND VEGETABLE DISPLAY
Main Code : U047 0109 00

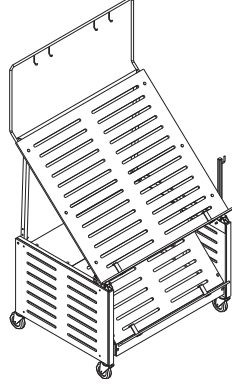
* Option - Tekerlekli
~ With wheels



H	D	L	
1500	1000	1250	6032 KPV

MS-110 MEYVE SEBZE ÜNİTE

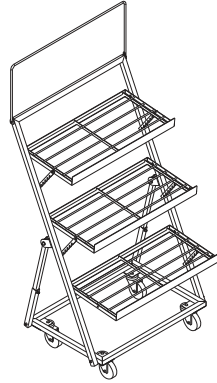
MS-110 FRUIT AND VEGETABLE DISPLAY
Main Code : U047 0110 00



Ölçü Dimension			Renk Color Code
H	D	L	
2200	1000	1250	6032 KPV
H	D	L	
1500	600	900	GLV
H	D	L	
1600	1500	550	GLV

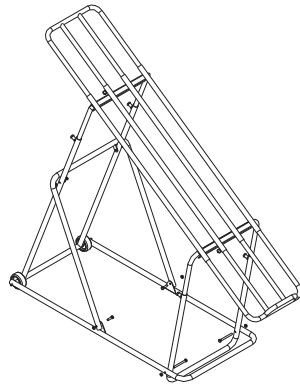
MS-120 MEYVE SEBZE ÜNİTE

MS-120 FRUIT AND VEGETABLE DISPLAY
Main Code : U047 0120 00



MS-121 MEYVE SEBZE ÜNİTE

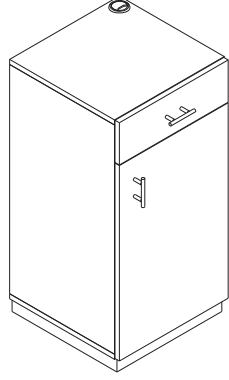
MS-121 FRUIT AND VEGETABLE DISPLAY
Main Code : U047 0121 00



MS-TA23 TERAZİ ALTIĞI

MS-TA23 SCALE DESK
Main Code : U047 0023 40

* Option - Tekerlekli
~ With wheels

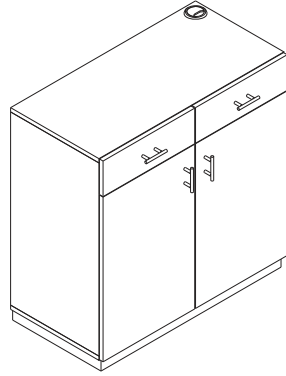


Ölçü Dimension			Renk Color Code
H	D	L	
900	450	450	STN.A PSMZ

MS-TA23 TERAZİ ALTIĞI

MS-TA23 SCALE DESK
Main Code : U047 0023 40

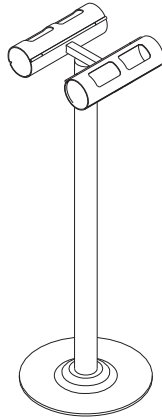
* Option - Tekerlekli
~ With wheels



H	D	L	
900	450	900	STN.A PSMZ

POŞETLİK - T0330

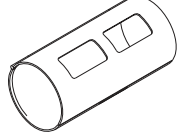
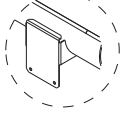
SHOPPING BAG HOLDER - T0330
Main Code : U018 0330 00



H	D	L	
900	300	300	6032 NKL

POŞETLİK - T0331

SHOPPING BAG HOLDER - T0331
Main Code : U018 0331 00



PLASTİK KASA

PLASTIC CASE
Main Code : T01 06 030



Ölçü Dimension			Renk Color Code
H	D	L	
115	115	240	NKL
H	D	L	
240	400	600	6032