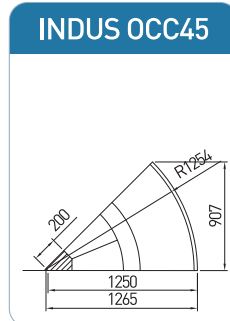
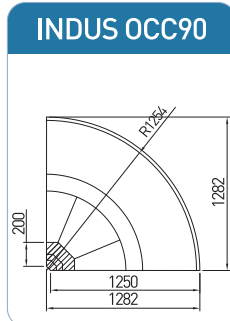
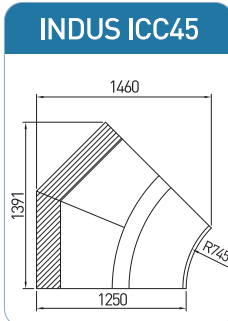
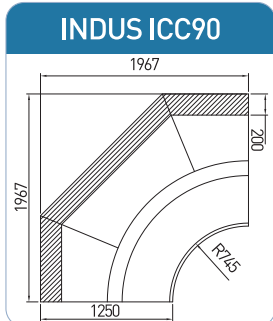
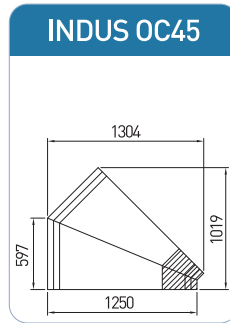
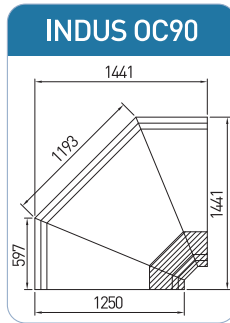
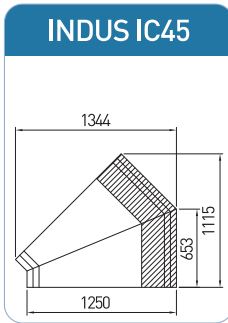
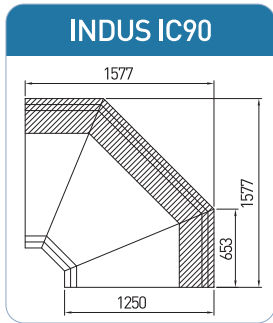
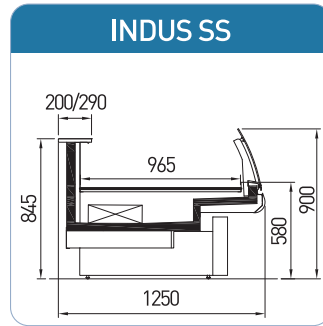
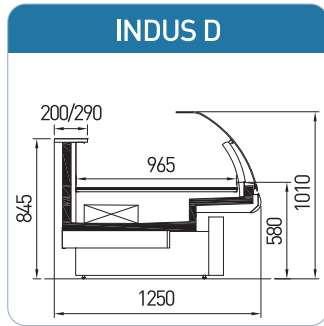
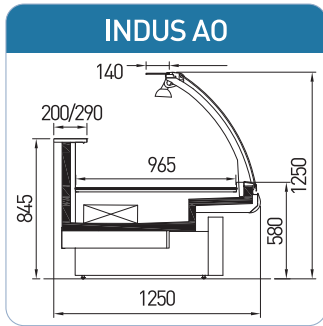
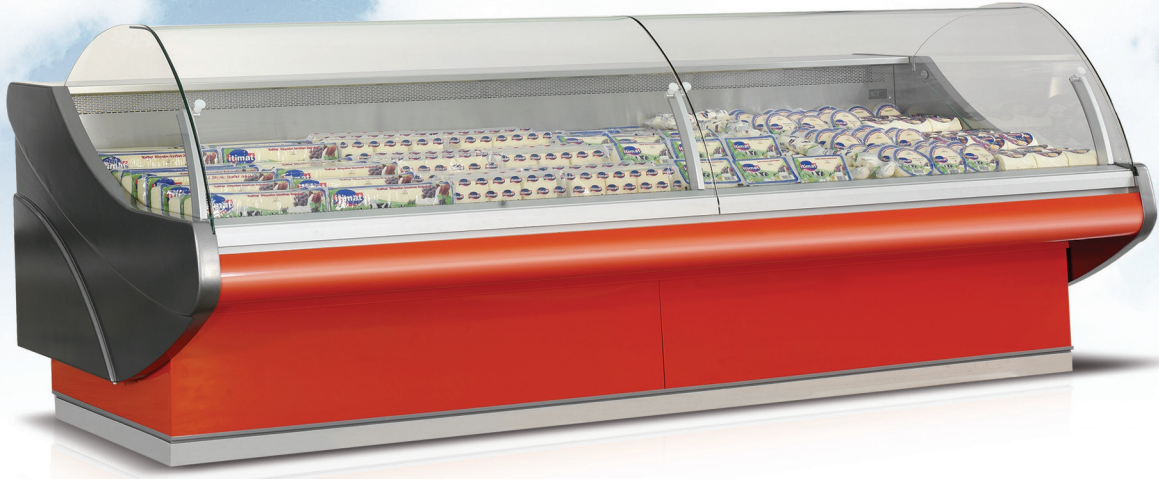


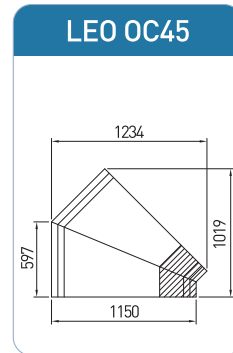
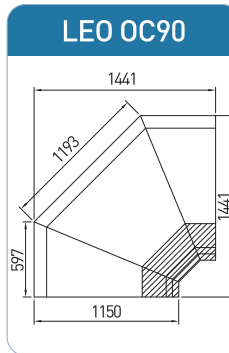
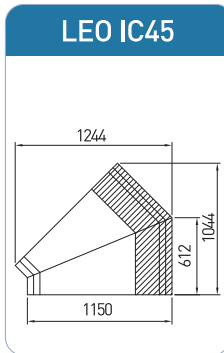
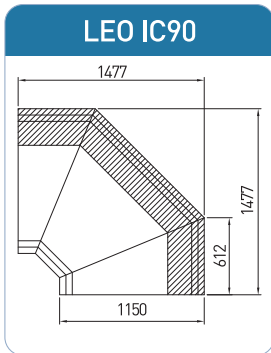
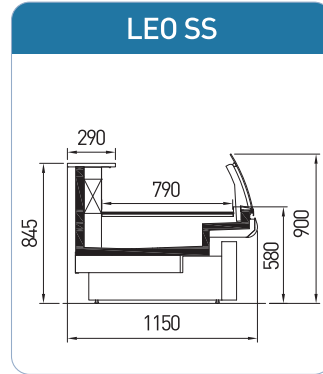
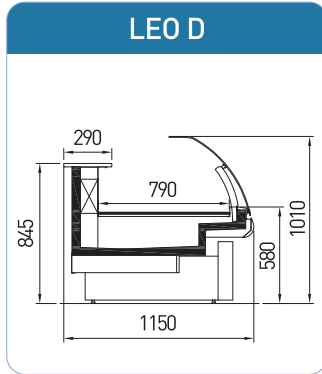
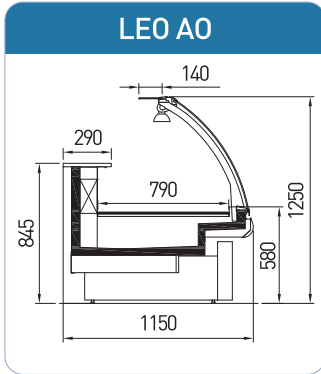
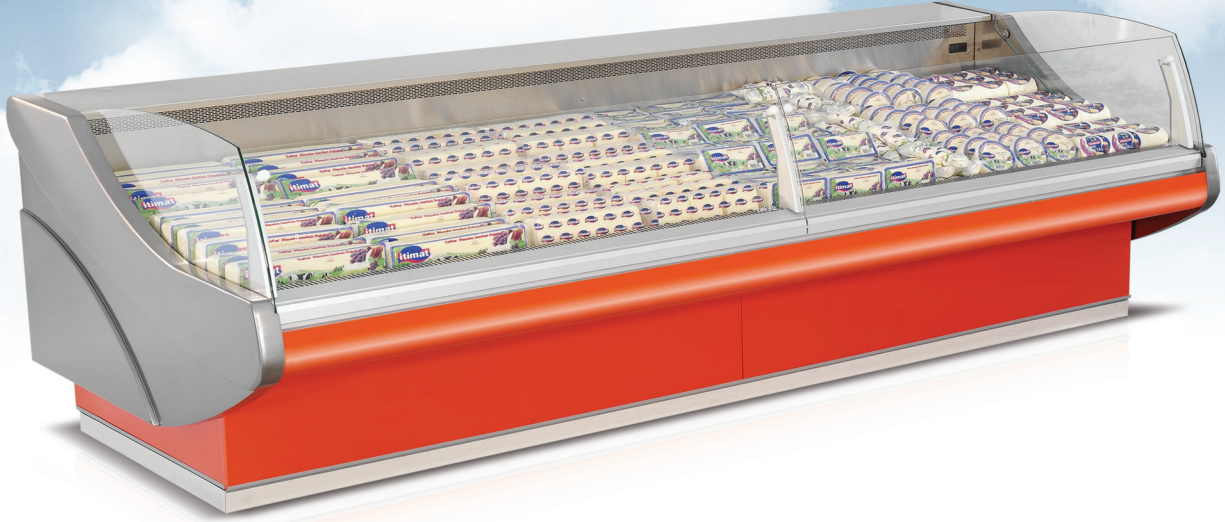
LEO ▶ NORMA ▶ INDUS





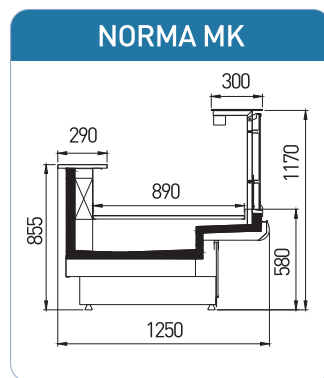
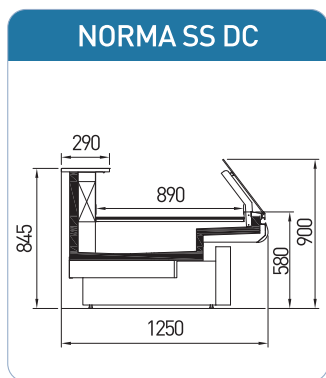
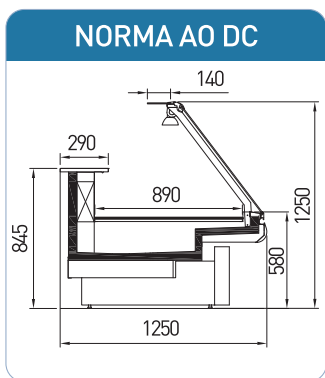
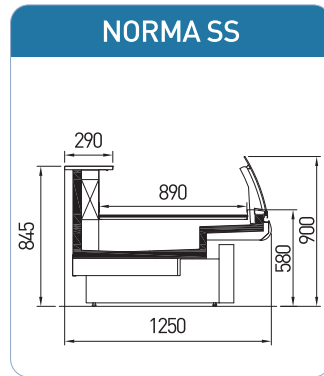
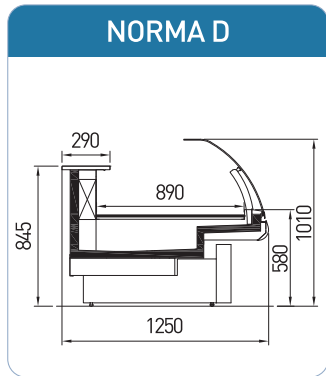
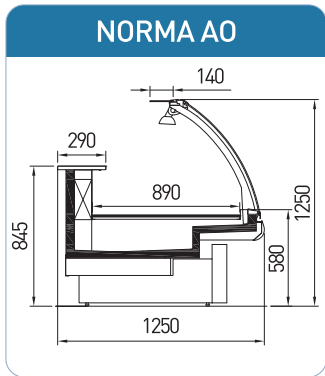
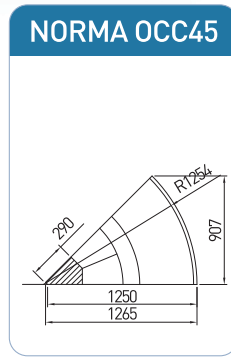
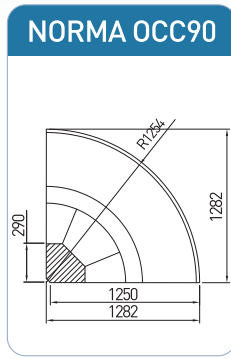
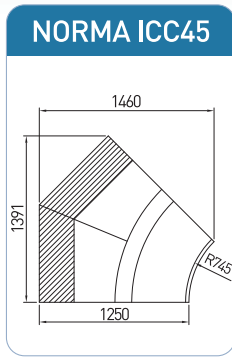
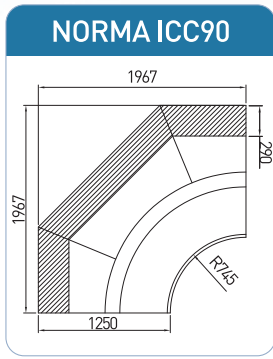
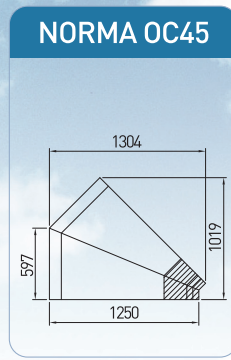
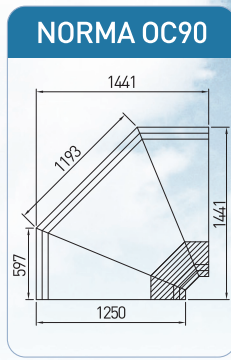
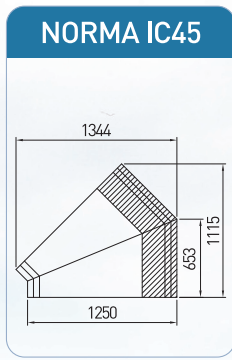
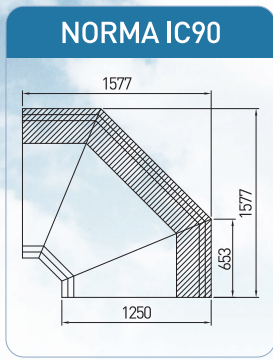
| INDUS | Length (mm) | | | | | | | | | | | | | |
|--------------------------|---|-----|------|------|------|------|------|------|------|------|-------|-------|-------|-------|
| | 625 | 937 | 1250 | 1875 | 2500 | 3750 | OC90 | IC90 | OC45 | IC45 | OCC90 | ICC90 | OCC45 | ICC45 |
| AO | | ◆ | ◆ | ◆ | ◆ | ◆ | ◆ | ◆ | ◆ | ◆ | ◆ | ◆ | ◆ | ◆ |
| D | | ◆ | ◆ | ◆ | ◆ | ◆ | | | | ◆ | ◆ | ◆ | ◆ | ◆ |
| SS | | ◆ | ◆ | ◆ | ◆ | ◆ | | | | ◆ | ◆ | ◆ | ◆ | ◆ |
| Side wall thickness (mm) | 50 | | | | | | | | | | | | | |
| Temperature | M0 [-1 / +4 °C]; M1 [-1 / +5 °C]; M2 [-1 / +7 °C] | | | | | | | | | | | | | |

- ▶ TEKSO teknik özellikler ve aksesuarları değiştirme hakkını saklı tutar.
- ▶ TEKSO reserves the right to change any technical details or accessories without previous notice.



| LEO | Length (mm) | | | | | | | | | |
|--------------------------|---|-----|------|------|------|------|------|------|------|------|
| | 625 | 937 | 1250 | 1875 | 2500 | 3750 | OC90 | IC90 | OC45 | IC45 |
| AO | ◆ | ◆ | ◆ | ◆ | ◆ | ◆ | ◆ | ◆ | ◆ | ◆ |
| D | ◆ | ◆ | ◆ | ◆ | ◆ | ◆ | ◆ | ◆ | ◆ | ◆ |
| SS | ◆ | ◆ | ◆ | ◆ | ◆ | ◆ | ◆ | ◆ | ◆ | ◆ |
| Side wall thickness (mm) | 50 | | | | | | | | | |
| Temperature | M0 [-1 / +4 °C]; M1 [-1 / +5 °C]; M2 [-1 / +7 °C] | | | | | | | | | |

- ▶ TEKSO teknik özellikler ve aksesuarları değiştirme hakkını saklı tutar.
- ▶ TEKSO reserves the right to change any technical details or accessories without previous notice.



| NORMA | Length (mm) | | | | | | | | | | | | | |
|--------------------------|---|-----|------|------|------|------|------|------|------|------|-------|-------|-------|-------|
| | 625 | 937 | 1250 | 1875 | 2500 | 3750 | OC90 | IC90 | OC45 | IC45 | OCC90 | ICC90 | OCC45 | ICC45 |
| AO | ♦ | ♦ | ♦ | ♦ | ♦ | ♦ | ♦ | ♦ | ♦ | ♦ | ♦ | ♦ | ♦ | ♦ |
| D | ♦ | ♦ | ♦ | ♦ | ♦ | ♦ | ♦ | ♦ | ♦ | ♦ | ♦ | ♦ | ♦ | ♦ |
| SS | ♦ | ♦ | ♦ | ♦ | ♦ | ♦ | ♦ | ♦ | ♦ | ♦ | ♦ | ♦ | ♦ | ♦ |
| AO DC | ♦ | ♦ | ♦ | ♦ | ♦ | ♦ | ♦ | ♦ | ♦ | ♦ | ♦ | ♦ | ♦ | ♦ |
| SS DC | ♦ | ♦ | ♦ | ♦ | ♦ | ♦ | ♦ | ♦ | ♦ | ♦ | ♦ | ♦ | ♦ | ♦ |
| MK | ♦ | ♦ | ♦ | ♦ | ♦ | ♦ | ♦ | | | | | | | |
| Side wall thickness (mm) | 50 | | | | | | | | | | | | | |
| Temperature | M0 (-1 / +4 °C); M1 (-1 / +5 °C); M2 (-1 / +7 °C) | | | | | | | | | | | | | |