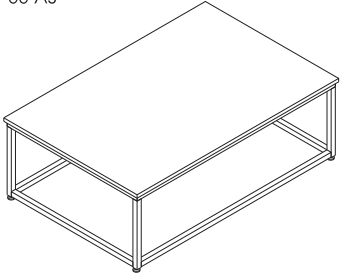


PODYUM STAND - T0111		H	D	L	
PODIUM STAND - T0111		400	400	1250	9005 KPV
Main Code : U070 0111 00 AS		400	800	1250	
		400	1200	1250	
PODYUM STAND - T0111		H	D	L	
PODIUM STAND - T0111				1250	9005 CHB
Main Code : U070 0111 00 UC				2500	
