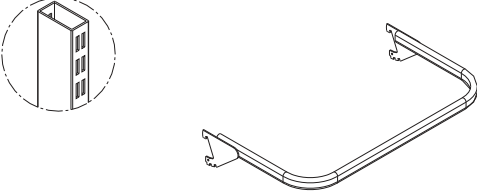
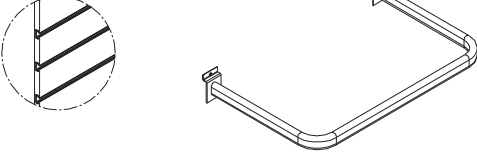
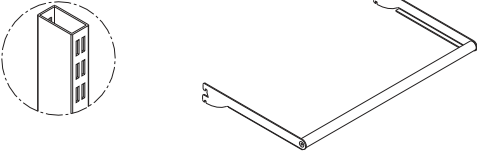
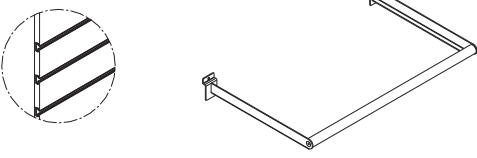
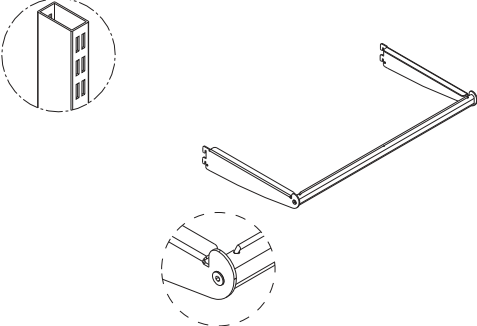
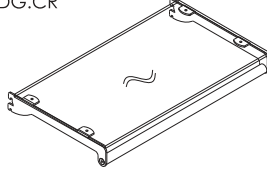
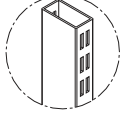


| | Ölçü Dimension | | | Renk Color Code |
|---|-------------------|--|---|--------------------|
| | H | D | L | |
| ASKI U U HANGER Main Code : U018 0001 00 DG  | | 300 300 300 300 300 300 | 600 700 900 1000 1250 1330 | NKL |
| ASKI U U HANGER Main Code : U018 0001 00 KPG  | | 300 300 300 | 600 700 900 | NKL |
| ASKI U VİDALI U HANGER SCREWED Main Code : U018 0002 00 DG  | | 300 300 300 | 600 700 900 | NKL |
| ASKI U VİDALI U HANGER SCREWED Main Code : U018 0002 00 KPG  | | 300 300 300 | 600 700 900 | NKL |
| ASKI U VİDALI TELLİ U HANGER SCREWED WITH WIRE RAIL Main Code : U018 0020 00 DG  | | 350 350 350 | 600 700 900 | STN.R |

ASKI U VİDALI CAM RAFLI TK

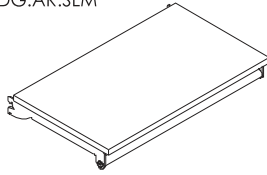
U HANGER SCREWED WITH GLASS SHELF
 Main Code : U018 0039 00 DG.CR



| H | Ölçü Dimension | | Renk Color Code |
|----------------------------------|----------------------------------|---|--------------------|
| | D | L | |
| | 370 370 370 | 600 700 900 | NKL SYD |
| | 370 370 370 | 600 700 900 | NKL STN.A |
| | 370 370 370 | 600 700 900 | NKL STN.A |
| 40 40 40 40 40 40 | 20 20 20 20 20 20 | 600 700 900 1000 1250 1330 | NKL |
| | 300 400 500 | | NKL |
| | 300 400 | | NKL |

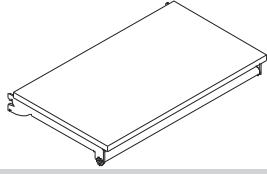
ASKI U VİDALI & AHŞAP RAFLI TK - SUNTALAM

U HANGER SCREWED WITH WOODEN SHELF
 Main Code : U018 0039 00 DG.AR.SLM



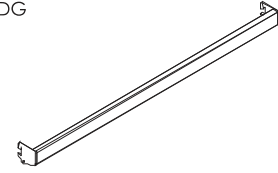
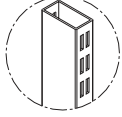
ASKI U VİDALI & AHŞAP RAFLI TK - MDFLAM

U HANGER SCREWED WITH WOODEN SHELF MDFLAM
 Main Code : U018 0039 00 DG.AR.MLM



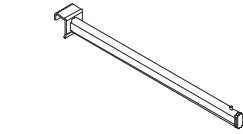
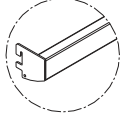
AKSESUAR TUTUCU DÜZ

ACCESSORY BAR
 Main Code : U017 0001 00 DG



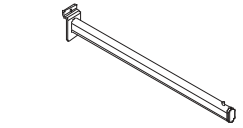
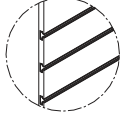
ASKI OVAL DÜZ

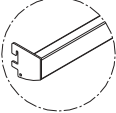
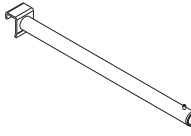
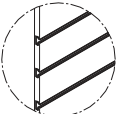
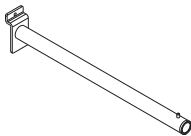
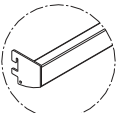
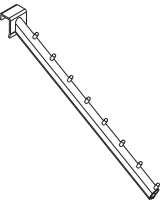
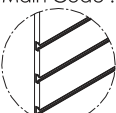
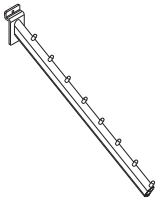
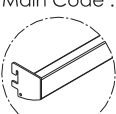
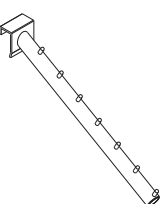
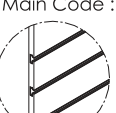
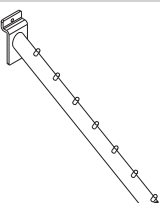
HANGER OVAL
 Main Code : U018 0003 00 ATG.O



ASKI OVAL DÜZ

HANGER OVAL
 Main Code : U018 0003 00 KPG.O

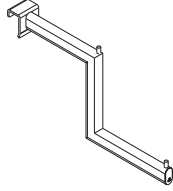
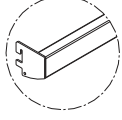


| | Ölçü Dimension | | | Renk Color Code |
|--|----------------------|-------------------|---|--------------------|
| | H | D | L | |
| ASKI BORU DÜZ HANGER TUBE Main Code : U018 0003 00 ATG.B   | Ø 25 Ø 25 Ø 25 | 300 400 500 | | NKL |
| ASKI BORU DÜZ HANGER TUBE Main Code : U018 0003 00 KPG.B   | Ø 25 Ø 25 | 300 400 | | NKL |
| ASKI OVAL EĞİMLİ BONCUKLU HANGER OVAL SLOPPED Main Code : U018 0004 00 ATG.O   | | 300 400 500 | | NKL |
| ASKI OVAL EĞİMLİ BONCUKLU HANGER OVAL SLOPPED Main Code : U018 0004 00 KPG.O   | | 300 400 | | NKL |
| ASKI BORU EĞİMLİ BONCUKLU HANGER TUBE SLOPPED Main Code : U018 0004 00 ATG.B   | Ø 25 Ø 25 Ø 25 | 300 400 500 | | NKL |
| ASKI BORU EĞİMLİ BONCUKLU HANGER TUBE SLOPPED Main Code : U018 0004 00 KPG.B   | Ø 25 Ø 25 | 300 400 | | NKL |

ASKI OVAL KADEMELİ

HANGER OVAL STEPPED

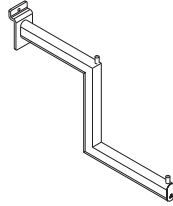
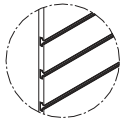
Main Code : U018 0005 00 ATG.O



ASKI OVAL KADEMELİ

HANGER OVAL STEPPED

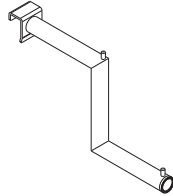
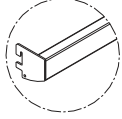
Main Code : U018 0005 00 KPG.O



ASKI BORU KADEMELİ

HANGER TUBE STEPPED

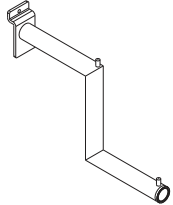
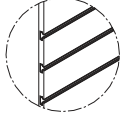
Main Code : U018 0005 00 ATG.B



ASKI BORU KADEMELİ

HANGER TUBE STEPPED

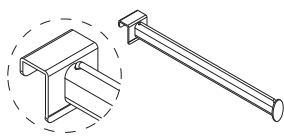
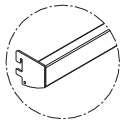
Main Code : U018 0005 00 KPG.B



ASKI OVAL DÜZ TELLİ

HANGER OVAL WITH WIRE RAIL

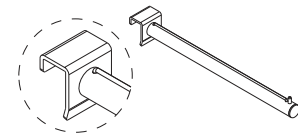
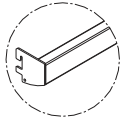
Main Code : U018 0017 00 ATG.OT



ASKI BORU DÜZ TELLİ

HANGER TUBE WITH WIRE RAIL

Main Code : U018 0019 00 ATG.BT

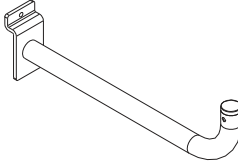
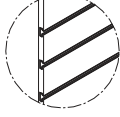


| | Ölçü Dimension | | | Renk Color Code |
|--|-------------------|----------------------|-------------------|--------------------|
| | H | D | L | |
| ASKI OVAL KADEMELİ HANGER OVAL STEPPED Main Code : U018 0005 00 ATG.O | | 300 400 | | NKL |
| ASKI OVAL KADEMELİ HANGER OVAL STEPPED Main Code : U018 0005 00 KPG.O | | 300 400 | | NKL |
| ASKI BORU KADEMELİ HANGER TUBE STEPPED Main Code : U018 0005 00 ATG.B | | Ø 25 Ø 25 | 300 400 | NKL |
| ASKI BORU KADEMELİ HANGER TUBE STEPPED Main Code : U018 0005 00 KPG.B | | Ø 25 Ø 25 | 300 400 | NKL |
| ASKI OVAL DÜZ TELLİ HANGER OVAL WITH WIRE RAIL Main Code : U018 0017 00 ATG.OT | | 300 400 | | STN.R |
| ASKI BORU DÜZ TELLİ HANGER TUBE WITH WIRE RAIL Main Code : U018 0019 00 ATG.BT | | Ø 21 Ø 21 Ø 21 | 300 400 500 | STN.R |

ASKI KOL - BORU SL

HANGER TUBE SL

Main Code : U018 0191 00 KPG

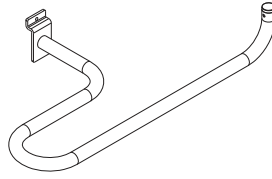
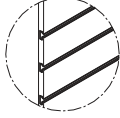


| Ölçü Dimension | | | Renk Color Code |
|-------------------|------------|--------------|--------------------|
| H | D | L | NKL |
| 85 85 | 300 400 | Ø 21 Ø 21 | |
| H | D | L | NKL |
| Ø 21 | 300 | 500 | |
| H | D | L | NKL |
| | 445 | | |
| H | D | L | NKL |
| | 450 | | |
| H | D | L | NKL |
| Ø 21 | 300 | | |
| Ø 21 | 400 | | |
| Ø 21 | 500 | | |
| H | D | L | NKL |
| | 600 | 600 | |
| | 600 | 700 | |
| | 600 | 900 | |
| | 600 | 1000 | |
| | 600 | 1250 | |
| | 600 | 1330 | |

ASKI KOL - BORU SZ

HANGER TUBE SZ

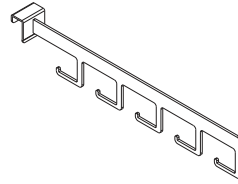
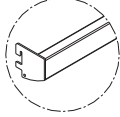
Main Code : U018 0192 00 KPG



ASKI SAC KANCA

HANGER HOOKED

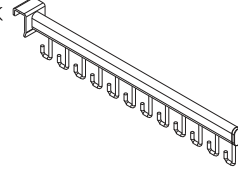
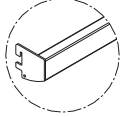
Main Code : U018 0093 00 ATG.SK



ASKI OVAL YAN KANCA

HANGER HOOKED OVAL

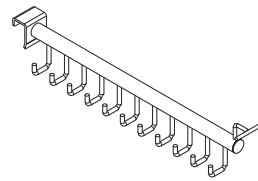
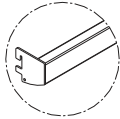
Main Code : U036 0026 00 ATG.OK



ASKI OVAL YAN KANCA

HANGER HOOKED OVAL

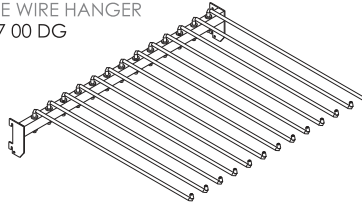
Main Code : U018 0233 00 ATG.BK



PANTALON TUTUCU - HAREKETLİ TEL ASKI

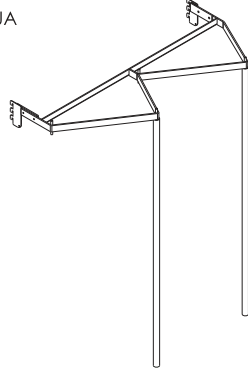
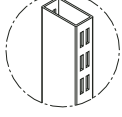
PANTS HOLDER - MOBILE WIRE HANGER

Main Code : U036 0027 00 DG



PASPAS ASKI TEŞHİR ÜST

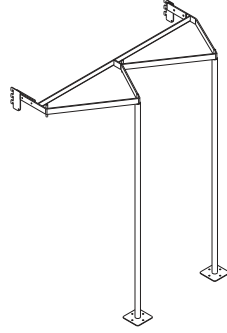
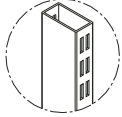
MAT HOLDER TOP
Main Code : U032 0097 00 UA



| Ölçü Dimension | | | Renk Color Code |
|-------------------|-----|------|--------------------|
| H | D | L | |
| | 400 | 1000 | STN.R |
| | 400 | 1250 | |
| | 400 | 1330 | |

PASPAS ASKI TEŞHİR ALT

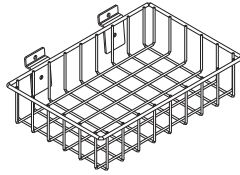
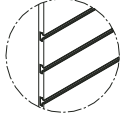
MAT HOLDER BOTTOM
Main Code : U032 0097 00 AA



| H | D | L | |
|---|-----|------|-------|
| | 400 | 1000 | STN.R |
| | 400 | 1250 | |
| | 400 | 1330 | |

TEL SEPET - DÜZ

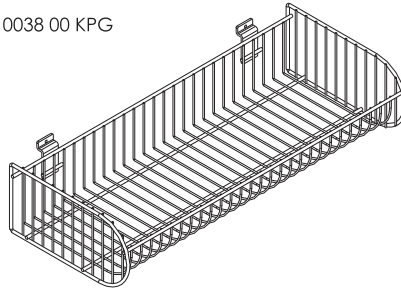
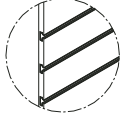
WIRE BASKET
Main Code : U043 0004 00 KPG



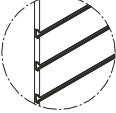
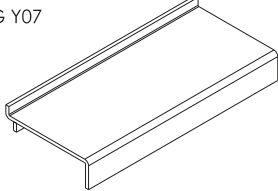
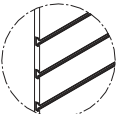
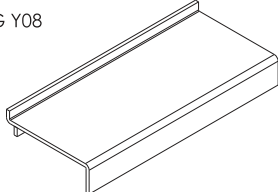
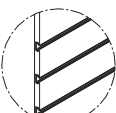
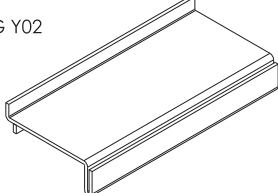
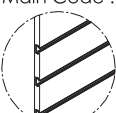
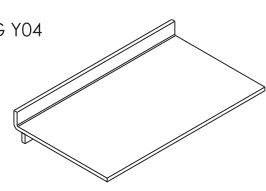

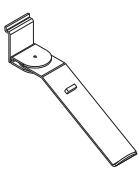
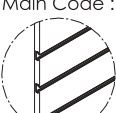
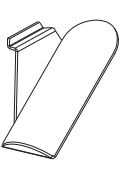
| H | D | L | |
|----|-----|-----|-----|
| 70 | 200 | 400 | NKL |
| 70 | 200 | 600 | |
| 70 | 300 | 600 | |
| 70 | 300 | 800 | |

TEL SEPET - OVAL

WIRE BASKET OVAL
Main Code : U043 0038 00 KPG

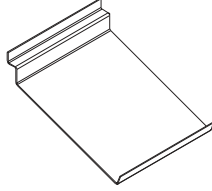
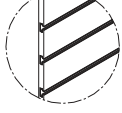


| H | D | L | |
|-----|-----|-----|-----|
| 150 | 200 | 400 | NKL |
| 150 | 200 | 600 | |
| 150 | 300 | 600 | |
| 150 | 300 | 800 | |

| | Ölçü Dimension | | | Renk Color Code | |
|--|-------------------|------------|-----|--------------------|--|
| | H | D | L | | |
| PLASTİK RAF - Y07 PLASTIC SHELF - Y07 Main Code : T01 03 005 KPG Y07   | 45 | 110 | 250 | SYD | |
| PLASTİK RAF - Y08 PLASTIC SHELF - Y08 Main Code : T01 03 005 KPG Y08   | 45 | 110 | 200 | SYD | |
| PLASTİK RAF - Y02 PLASTIC SHELF - Y02 Main Code : T01 03 005 KPG Y02   | 50 | 115 | 250 | SYD | |
| PLASTİK RAF - Y04 PLASTIC SHELF - Y04 Main Code : T01 03 005 KPG Y04   | 25 | 130 | 200 | SYD | |
| PLASTİK RAF - Y05 PLASTIC SHELF - Y05 Main Code : T01 03 005 KPG Y05   | 130 | 70 | 300 | SYD | |
| PLASTİK RAF - Y06 PLASTIC SHELF - Y06 Main Code : T01 03 005 KPG Y06   | SAĞ - RIGHT | | | SYD | |
| | 130 | 100 | 250 | | |
| | | SOL - LEFT | | | |
| | 130 | 100 | 250 | | |

EĞİMLİ TEŞHİR RAFI SAC - T0008

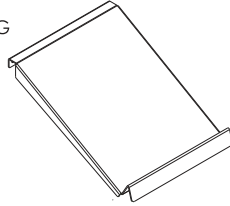
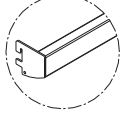
STEEL SHELF EGM - T0008
 Main Code : U035 0008 00 KPG



| Ölçü Dimension | | | Renk Color Code |
|-------------------|------------|------------|--------------------|
| H | D | L | |
| 120 | 230 | 200 | STN.R |
| H | D | L | |
| | 300 | 280 | STN.R |
| H | D | L | |
| 50 | 135 | 240 | SYD |
| H | D | L | |
| 45 45 | 110 110 | 200 250 | SYD |
| H | D | L | |
| 50 | 115 | 250 | SYD |
| H | D | L | |
| 25 | 130 | 200 | SYD |

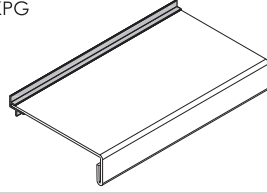
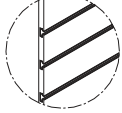
EĞİMLİ TEŞHİR RAFI SAC - T0131

SLOPPED STEEL SHELF - T0131
 Main Code : U041 0131 00 ATG



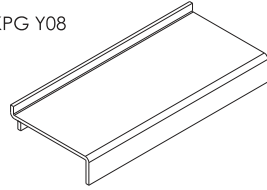
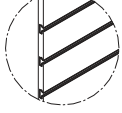
PLEKSİ RAF - ETK.TKV - T0055

ACRYLIC SHELF WITH LABEL - T0055
 Main Code : U034 0055 00 KPG



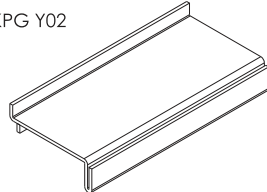
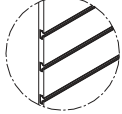
PLEKSİ RAF - Y08

ACRYLIC SHELF - Y08
 Main Code : U041 0002 00 KPG Y08



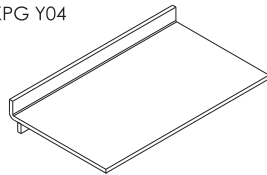
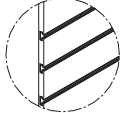
PLEKSİ RAF - Y02

ACRYLIC SHELF - Y02
 Main Code : U041 0002 00 KPG Y02



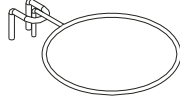
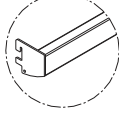
PLEKSİ RAF - Y04

ACRYLIC SHELF - Y04
 Main Code : U041 0002 00 KPG Y04



TOP TUTUCU - T0001

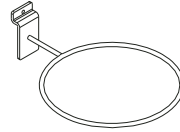
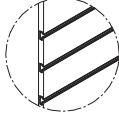
BALL HOLDER - T0001
Main Code : U034 0001 00 ATG



| Ölçü Dimension | | | Renk Color Code |
|-------------------|-----|-----|--------------------|
| H | D | L | |
| 60 | 275 | 200 | NKL |
| H | D | L | |
| 60 | 275 | 200 | NKL |
| H | D | L | |
| | 400 | 170 | NKL |
| H | D | L | |
| | 400 | 170 | NKL |
| H | D | L | |
| 1685 | 600 | 300 | STN.R |

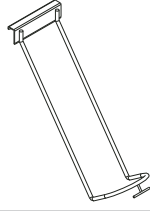
TOP TUTUCU - T0001

BALL HOLDER - T0001
Main Code : U034 0001 00 KPG



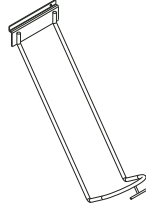
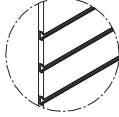
TOP TUTUCU - T0002

BALL HOLDER - T0002
Main Code : U034 0002 00 ATG



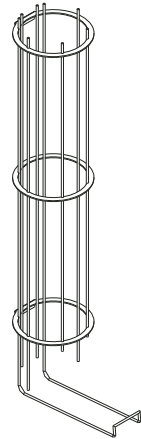
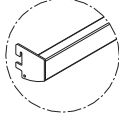
TOP TUTUCU - T0002

BALL HOLDER - T0002
Main Code : U034 0002 00 KPG



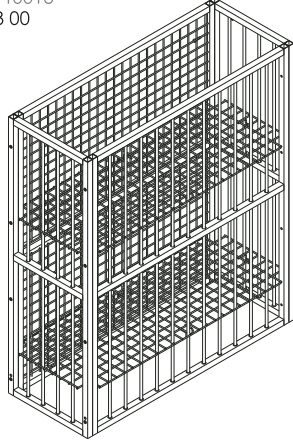
TOP TUTUCU STAND - T0047

BALL HOLDER DISPLAY - T0047
Main Code : U034 0047 00 ATG



TOP STAND - T0013

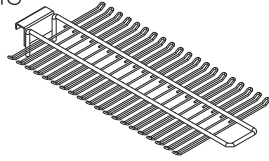
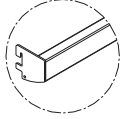
BALL HOLDER DISPLAY - T0013
Main Code : U061 0013 00



| Ölçü Dimension | | | Renk Color Code |
|-------------------|-----|------|--------------------|
| H | D | L | |
| 1600 | 500 | 1000 | STN.R |
| 1600 | 500 | 1250 | |
| 1600 | 500 | 1330 | |
| 1900 | 500 | 1000 | |
| 1900 | 500 | 1250 | |
| 1900 | 500 | 1330 | |
| 1600 | 600 | 1000 | |
| 1600 | 600 | 1250 | |
| 1600 | 600 | 1330 | |
| 1900 | 600 | 1000 | |
| 1900 | 600 | 1250 | |
| 1900 | 600 | 1330 | |

RAKET TUTUCU - T0004

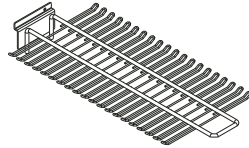
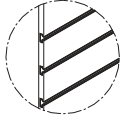
RACKET HOLDER - T0004
Main Code : U034 0004 00 ATG



| H | D | L | |
|----|-----|-----|-----|
| 65 | 400 | 300 | NKL |
| 65 | 500 | 300 | |

RAKET TUTUCU - T0004

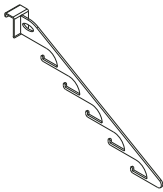
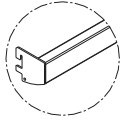
RACKET HOLDER - T0004
Main Code : U034 0004 00 KPG



| H | D | L | |
|----|-----|-----|-----|
| 65 | 400 | 300 | NKL |
| 65 | 500 | 300 | |

RAKET TUTUCU - T0005

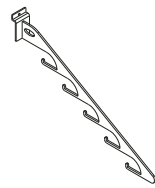
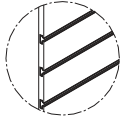
RACKET HOLDER - T0005
Main Code : U034 0005 00 ATG



| H | D | L | |
|-----|-----|---|-----|
| 250 | 390 | | NKL |
| | | | |

RAKET TUTUCU - T0005

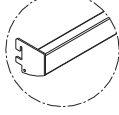
RACKET HOLDER - T0005
Main Code : U034 0005 00 KPG



| H | D | L | |
|-----|-----|---|-----|
| 250 | 390 | | NKL |
| | | | |

ŞAPKA TUTUCU - T0003

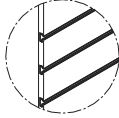
HAT HOLDER - T0003
 Main Code : U034 0003 00 ATG



| Ölçü Dimension | | | Renk Color Code |
|-------------------|-----|-----|--------------------|
| H | D | L | |
| 170 | 250 | 150 | NKL |

ŞAPKA TUTUCU - T0003

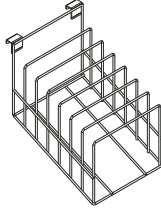
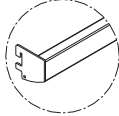
HAT HOLDER - T0003
 Main Code : U034 0003 00 KPG



| H | D | L | |
|-----|-----|-----|-----|
| 170 | 250 | 150 | NKL |

GÖMLEK RAFI - T0015

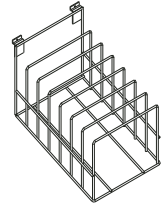
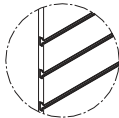
SHIRT SHELF - T0015
 Main Code : U036 0015 00 ATG



| H | D | L | |
|-----|-----|-----|-----|
| 400 | 355 | 300 | NKL |

GÖMLEK RAFI - T0015

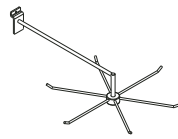
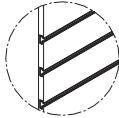
SHIRT SHELF - T0015
 Main Code : U036 0015 00 KPG



| H | D | L | |
|-----|-----|-----|-----|
| 400 | 355 | 300 | NKL |

KRAVAT & KEMER TUTUCU - T0001

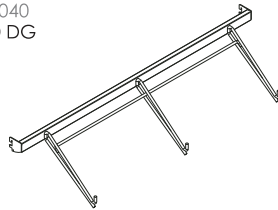
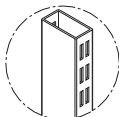
TIE AND BELT HOLDER - T0001
 Main Code : U036 0001 00 KPG



| H | D | L | |
|-----|-----|-----|-----|
| 130 | 600 | 420 | NKL |

SNOWBOARD TUTUCU - T0040

SNOWBOARD HOLDER - T0040
 Main Code : U034 0040 00 DG



| H | D | L | |
|-----|-----|------|-------|
| 230 | 300 | 1000 | STN.R |
| 230 | 300 | 1250 | |